



V I S I C O N

Service Offering
for

Steel Model Change Analysis

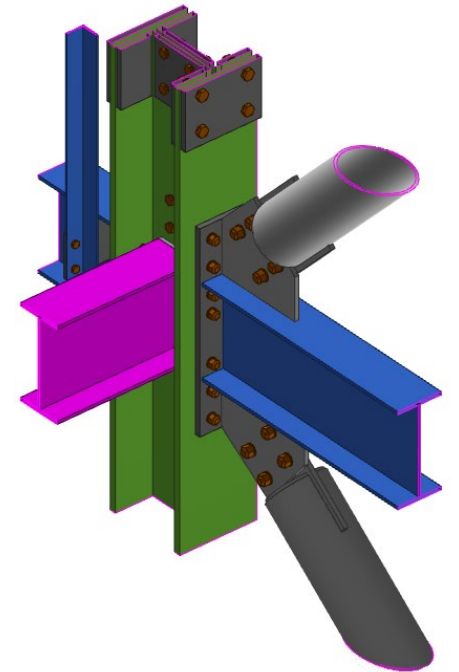


Summary of Services

Visicon offers a range of services to help contractors more effectively track and analyze changes to their steel package.

Focus areas:

- Identification and Quantification of changes
- Detailed quantity takeoff





Identification & Quantification of Changes

Visicon analyzes any two versions of a model and produces clear 3D visualizations of any geometric changes and can also produce detailed variance reports that list components that have been removed, added or changed.

Options:

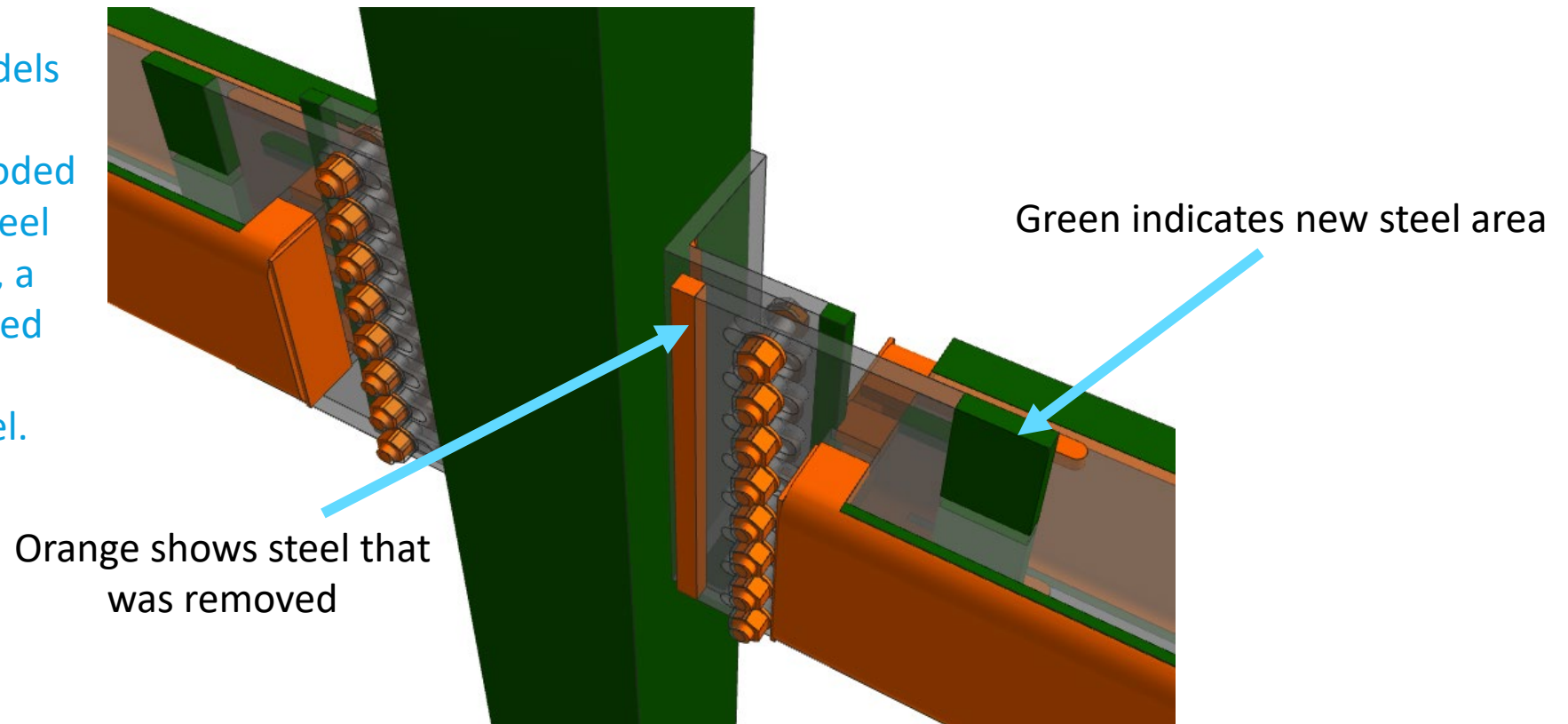
- 3D graphical identification
- Tabular quantification



3D Graphical Change Report

Our proprietary *Boolean Difference* algorithm takes any two model versions and produces a clear graphical report.

View of two Tekla models where Visicon has identified and color-coded ADDED / REMOVED steel areas. In this example, a plate was slightly moved and increased in size, adding 20.5 lbs of steel.





Tabular Variance Report

We can configure variance reports to list any changed property between two model versions.

Variance report for plates showing change in Weight.

Variables					TeklaQuantity.Weight		
Name ()	TeklaQuantity.Heig ht (in)	TeklaQuantity.Leng th (in)	TeklaQuantity.Widt h (in)	TeklaQuantity.Weig ht (lb)	A (lb)	B (lb)	Variance (lb)
BACK PLATE	3.00000002	3.00000002	0.500000003	1.322773573		1.322773573	1.322773573
BACK PLATE	3.00000002	3.00000002	0.500000003	1.322773573		1.322773573	1.322773573
BASE PLATE	13.49606308	16.00000011	0.751968509	45.85615054		45.85615054	45.85615054
BASE PLATE	13.49606308	16.00000011	0.751968509	45.85615054		45.85615054	45.85615054
BASE PLATE	16.00000011	16.1456694	0.751968509	55.11556555		55.11556555	55.11556555
BASE PLATE	16.00000011	16.1456694	0.751968509	55.11556555		55.11556555	55.11556555
BASE PLATE	16.00000011	16.1456694	0.751968509	55.11556555		55.11556555	55.11556555
BASE PLATE	16.00000011	16.1456694	0.751968509	55.11556555		55.11556555	55.11556555
BEACH_PLATE	4.000000026	8.000000053	0.374015751	3.086471671	3.086471671	3.306933933	0.220462262
BEACH_PLATE	4.000000026	8.000000053	0.374015751	3.086471671	3.086471671	3.306933933	0.220462262
BEACH_PLATE	4.000000026	8.000000053	0.374015751	3.086471671	3.086471671	3.306933933	0.220462262
BEACH_PLATE	4.000000026	8.000000053	0.374015751	3.086471671	3.086471671	3.306933933	0.220462262

Plate was added →

Plate weight changed →

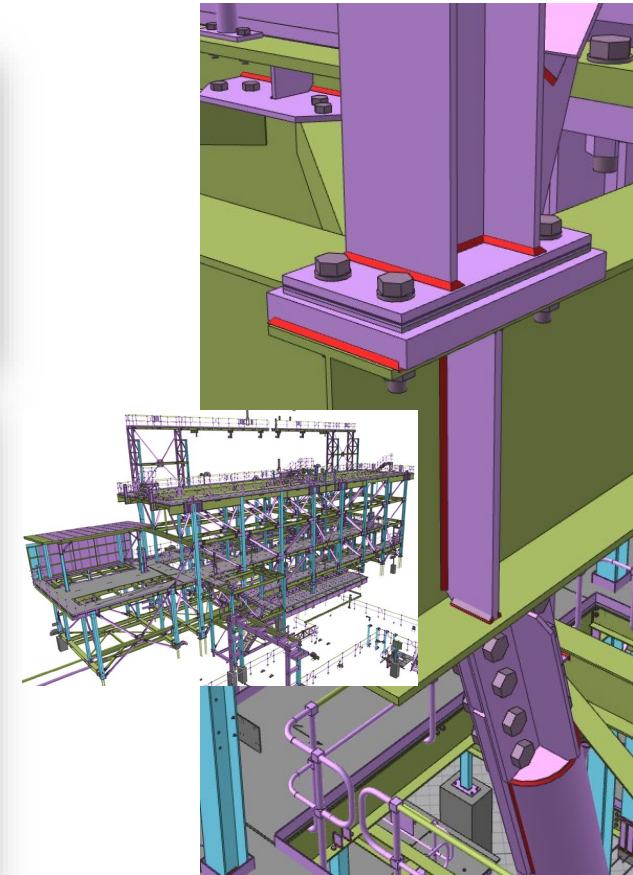


Detailed Quantity Takeoff

We can provide detailed quantity takeoff for any modeled component and categorize by any parameter.

Categories	Variables					
BHPMetadata.WeldWorkshopSite ()	BHPMetadata.WeldEdgeAround ()	BHPMetadata.WeldIntermittentType ()	BHPMetadata.WeldLengthmm (mm)	BHPMetadata.WeldTypeNearSide ()	Count ()	
Site	← Welds grouped by application type				8 unclassified welds!!	8
Workshop						1258
						27869

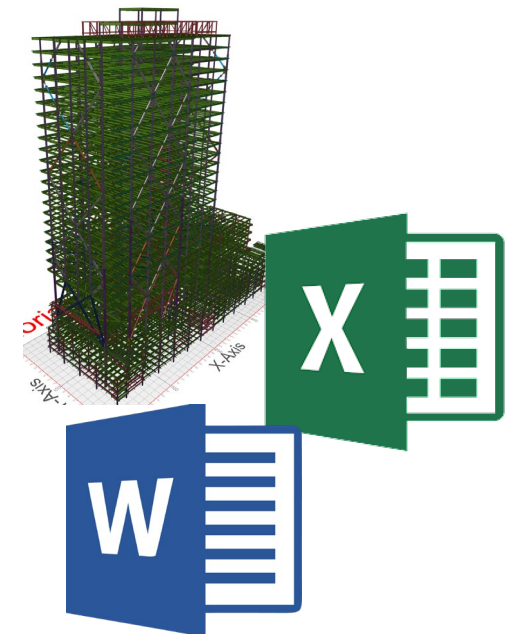
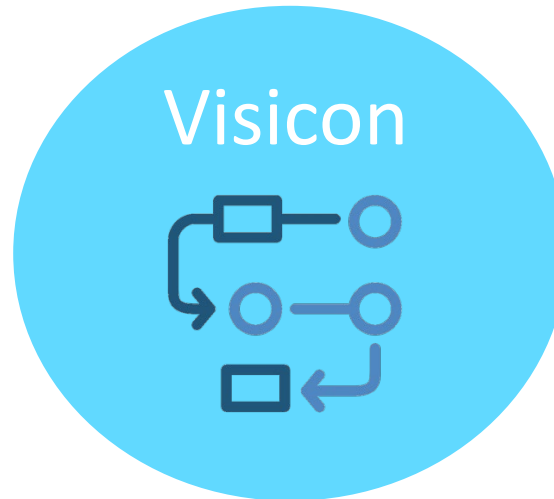
Categories	Variables				
BHPMetadata.WeldWorkshopSite ()	BHPMetadata.WeldEdgeAround ()	BHPMetadata.WeldIntermittentType ()	BHPMetadata.WeldLengthmm (mm)	BHPMetadata.WeldTypeNearSide ()	Count ()
Site	Report with added weld properties, including length and type				8
Site	Around	Continuous	8.9	W10	1
Site	Around	Continuous	11.3	W10	1
Site	Around	Continuous	11.5	W10	1
Site	Around	Continuous	14.3	W10	1
Site	Around	Continuous	100	W10	1
Site	Around	Continuous	102.1	W10	1





How Does it Work?

Vision uses its proprietary software and domain expertise to analyze your Revit or Tekla models. Our work product can include color-coded 3D models, XLS spreadsheets and reports.





Fee Schedule

Visicon's change analysis and quantity takeoff services are charged on a time and material basis.

Hourly rates:

- Contact us at sales@visicon.com for a fee proposal.



Other Services

In addition to specialized services for steel model change analysis, Visicon offers a broad range of other model coordination and review services.

Additional service areas:

- Change analysis for other discipline models like concrete
- Trade coordination (clash/clearance)
- COBie model compliance checks
- Steel shop drawing review (design vs fabrication model)



VISICON

www.visicon.com

Thank you

Florian Aalami
florian@visicon.com
+1 650 218 0008

Henry C. Purdy
henry@visicon.com
+1 513 295 0192